

RFID for NamePlate 14.7" Series

Model:NP-RFID-1356M-1



RFID reader waterproof
with LED for Built-in
Flush Mount



RFID reader | 13.56 MHz | Multi
System

Fear not ! Our RFID reader is waterproof, so don't worry about spilled liquids such as coffee etc.

This RFID device offers easy integration with third-party software via a REST API and a Nameplate interface, simplifying data access.

It also features a buzzer and LED for visual and audible notifications, enhancing user feedback. Developers can leverage the WAPI server for seamless integration. The combination of the REST API, third-party software, and optional buzzer/LED creates a versatile solution tailored to specific needs.

Key Features:

- **Flush mount and Waterproof**
- **Direct Nameplate Interface:**
Provides a straightforward way to connect and interact with the device.
- **REST API for Data Access:**
Enables easy retrieval of RFID data through our Rest API, allowing for integration with various software platforms.
- **Third-Party Software Compatibility:**
Designed to work seamlessly with other software applications, facilitating customized solutions.
- **WAPI Server for Developers:**
Offers a dedicated server environment for developers to build and integrate custom solutions, extending the device's functionality.
- **Additionally Buzzer and LED Notifications:**
Provides visual and auditory feedback, enhancing user experience and providing alerts.
- **Customizable Solution:**
The combination of the API, third-party software, and notification options allows for tailored solutions to meet specific requirements.



Install a dark acrylic or glass cover with a thickness between 0.5 and 1.0 mm. This will create a non-transparent appearance while still allowing the LED light to shine through, providing a stylish dark "shading effect."

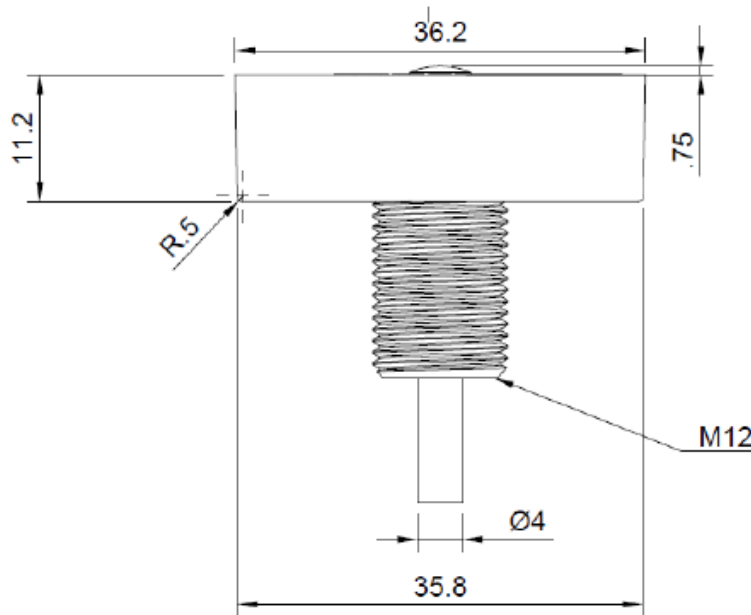
•RFID 13.56MHz - compatibility with ISO/IEC14443-3-A (eg. MIFARE tags), ISO/IEC14443-3-B, ISO 15693, Felica, iClass, ISO 18092, Tag NFC. Interface: 1Wire, UART, USB.

Mechanical	
Frequency	13.56 MHz
Interface	NP-WAPI (Rest API)
Color Chassis	Black
Tags	Legic RF
Range	0.5 – 6.5 cm

Electrical	
Power supply	5 - 30 V
Active consumption	< 0.1 W
Current	215 mA
Connection	NP_Data Interface

Certifications	
Europe	CE

External dimensions



Measurements:

